

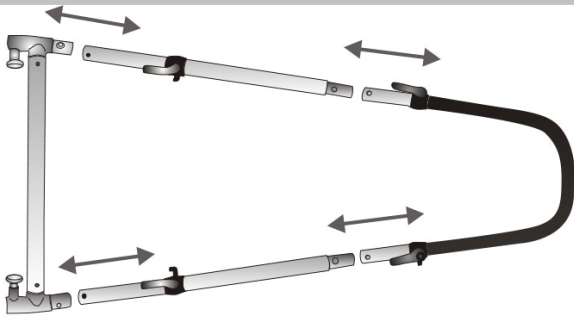
Brush Pro

Product Manual and Users Guide



Hydro-Force Manufacturing
4282 South 590 West
Salt Lake City, UT 84123
800-948-1779 • www.hydroforce.com

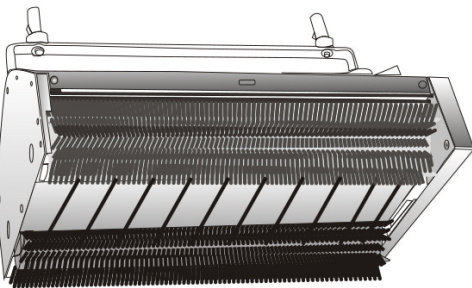
CONTENTS / CONTIENE



- handle, 4 pieces
- manubrio, 4 partes



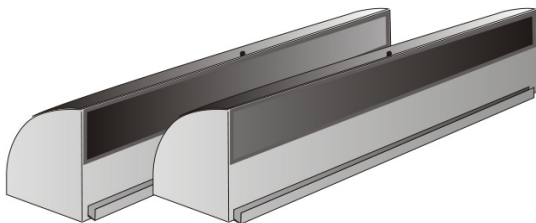
- transport trolley
- carretilla de transporte



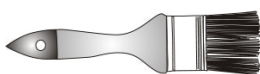
- brushing machine incl. 2 brushes
- máquina incluyendo 2 cepillos



- Brush Cover with/without wheels
- cobertores de cepillo con y sin ruedas

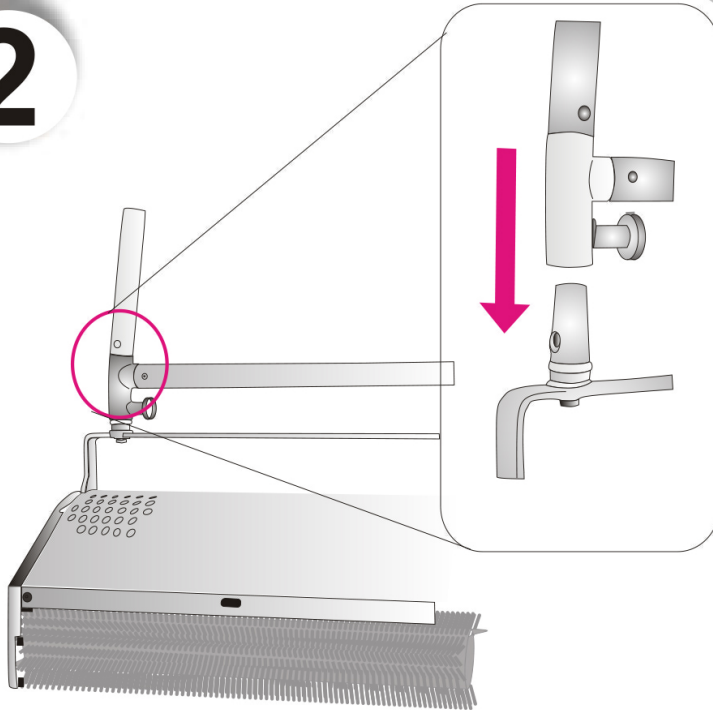


- 2 Renovators dirt and water receptacles
- 2 recipientes para el Compound (Esponjas) y para el agua.



- cleaning brush
- brocha limpiadora

2



Assembling Ensamblaje

ENGLISH

1. Put the handle onto the bolt and connect both parts with the locking device.
2. Attach power cord onto clips provided along the handle to protect against rotating brushes.

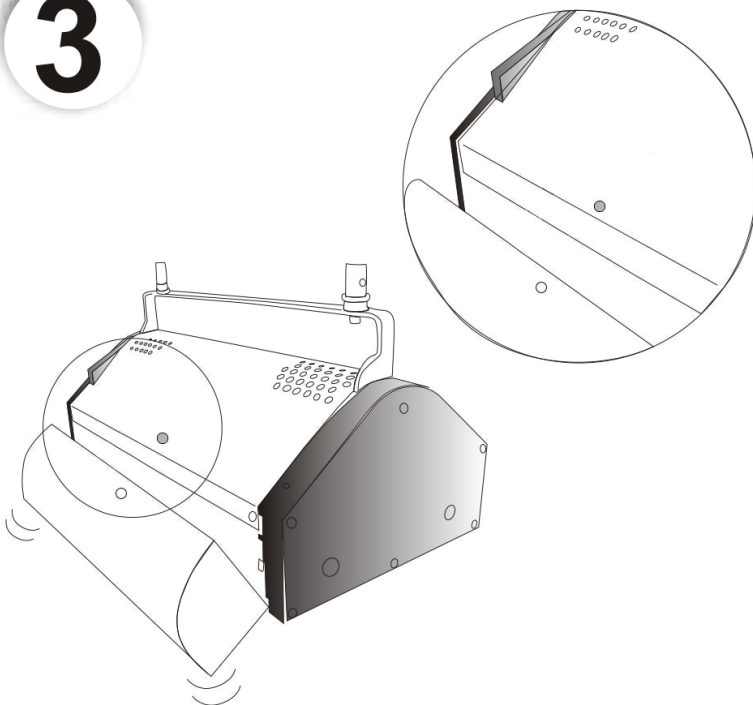
Attention: do not leave the machine on the brushes when not in use.

ESPAGNOL

1. Poner el manubrio sobre el cerrojo y asegurarlo.
2. Meter el cable a través de los clips para que no se enrede con los cepillos de la máquina.

Advertencia: Nunca deje la máquina parada sobre los cepillos.

3



Mounting of Renovators and Brush Covers Montar los recipientes o cobertores de cepillo

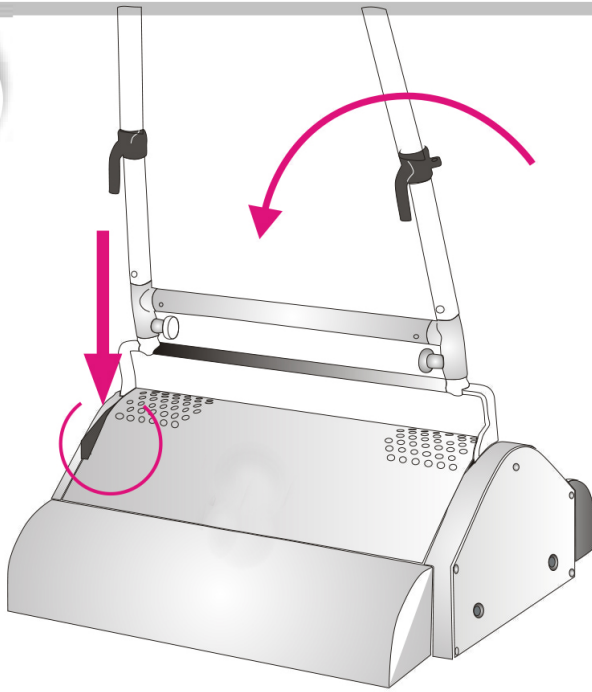
ENGLISH

1. Attach the Renovators (receptacles) or the Brush Covers onto mounting supports on lower part of machine, then press firmly against the machine until snug/locked with locking device.
2. Release locking device to remove either the Renovators or the Brush Covers.

ESPAGNOL

1. Colocarlos a ambos lados de la máquina (en la parte de abajo) de forma tal que las ranuras encajen perfectamente.
2. Quitar los seguros para sacar los accesorios laterales.

4



Starting the machine (switch on/off)
Prender la máquina

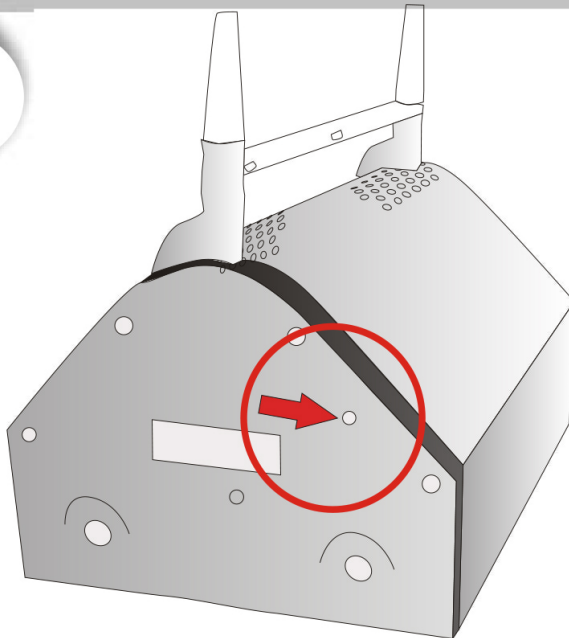
ENGLISH

1. Connect the power cord to power outlet according to local conditions.
2. Press safety lever of machine handle with left foot and tilt handle down and backwards in one motion* (*machine should move slightly backwards on start-up)
3. To completely stop machine, move handle in a vertical/upright position until locked.

ESPAGNOL

1. Enchufar la maquina de acuerdo a las condiciones locales
2. Pisar el interruptor de seguridad con el pie izquierdo y bajar el manubrio en un mismo movimiento.
3. Para detener la maquina totalmente, ponga el manubrio en posicion vertical hasta que suene.

5



Motor safety switch
Interruptor de seguridad del motor

ENGLISH

Machine's safety switch automatically shuts off electricity, in case of power surge or overload.

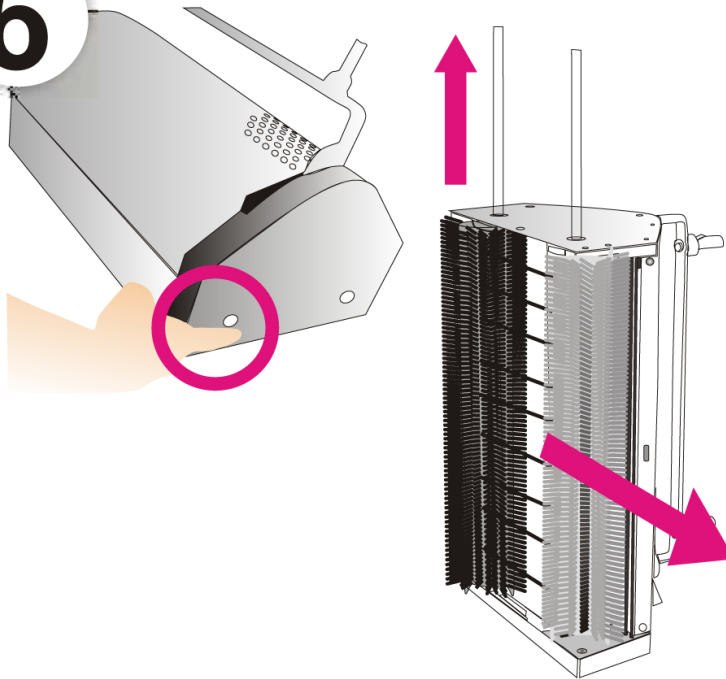
After approx. 30 seconds push button back into place with a pointed object (pen or pencil) and continue to work.

ESPAGNOL

El interruptor de seguridad de la maquina se dispara en caso de sobrecarga.

Luego de 30 segundos presionar el boton de nuevo con un objeto fino y continúe trabajando.

6



Changing of brushes
Cambio de cepillos

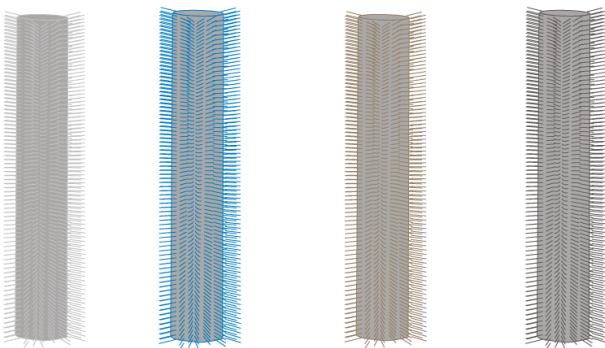
ENGLISH

Use original Brush Pro brushes only.
1. Attention! Before changing the brushes pull the power cord from the power outlet. **2.** Position the machine sideways (on the right), push in the brush-axle and pull out. **3.** Remove brushes
4. Attach new brushes and insert brush axles from the top. **Attention:** Do Not use force when inserting the brush axles, gently turn axle and brush back and forth to adjust alignment of axle.

ESPAGNOL

Sólamete use cepillos originales Carpet Cleaner.
1. Desenchufe la máquina antes de proceder a cambiar los cepillos
2. Ponga la máquina de lado y empuje el eje del cepillo hacia adentro para que salga por el otro lado y los cepillos queden libres
3. Saque los cepillos
4. Ponga los cepillos nuevos e inserte el eje desde arriba hasta abajo. **Importante:** No utilice mucha fuerza; para insertarlo sin problemas vaya girando el eje y el cepillo hasta que pase completamente.

6a



soft standard stiff extra stiff

suave intermedio duro extra duro

ENGLISH

Please make sure to first check brush suitability for carpet/area to be cleaned in an inconspicuous space before use.

Attention: Limited suitability on fragile carpets and carpets with wool content (Brush recommended: soft)

ESPAGNOL

Antes de usar chequee la compatibilidad de la máquina con la alfombra o piso en un área pequeña y disimulada (generalmente esquina).

Advertencia: De idoneidad limitada para alfombra de lana o de pelaje muy largo (Cepillo recomendado: Suave)

7



Machine cleaning
Limpeza de la máquina

ENGLISH

1. Disconnect power cord from power outlet. Remove brushes - see picture 6 „changing of brushes“
2. On completion of any carpet cleaning, remove the remaining compound and dirt with the cleaning brush. After any hardfloor cleaning, clean/rinse the machine with fresh water on bottom side.

ESPAGNOL

1. Retire el cable de la máquina y quítele los cepillos. Ver imagen 6 “cambio de cepillos”.
2. Si estuvo limpiando una alfombra, utilizar la brocha limpiadora para retirar cualquier residuo de Compound y polvo. Si hubiere estado limpiando pisos limpie o enjuage la maquina con agua fresca en la parte de abajo.

Pay particular attention to the following points regarding operation, use and maintenance:

ENGLISH

The machine may only be used by persons who have been instructed in its use and given authority to do so.

The power cord must be disconnected from the power outlet before cleaning, servicing the machine and before changing parts thereof.

Make sure the power cord is not damaged in any way by running over it, squashing or tearing it, etc.

The power cord must only be replaced by original spare part number 46 or a DIN 57.281 part 402/VDE 0281 part 402 05W3x 1 mm2 cable.

All connections of the main power cord supplied and all other power cord extensions that may be used by customer, must be splash water proof certified and protected.

The machine must be fitted with a power safety switch with a capacity of 10 amps or a 10 amps fuse.

This appliance is not to be used or stored outdoors in wet conditions and is not suitable for working with or picking up hazardous substances.

This appliance is not intended for use by persons (including children) with reduced physical, sensory or mental capabilities or lack of experience and knowledge unless they have been given initial supervision or instruction concerning use of the appliance by a person responsible for their safety.

No se con agentes quimicos o lipiadores que facilmente hacen espuma cuando se estan aplicando o agentes limpiadores que contengan solventes inflamables. La valvula ph de los productos limpiadores y quimicos usados con nuestro equipo no deben exceder arriba de 10 PH y de bafo de 5 PH.

Technical Data	Brush Pro 17	Brush Pro 20
Motor	800 W	800 W
Brush rotations	483 RPM	395 RPM
Sound level at 1.64 feet	57.8 dB	57.8 dB
Weight, lbs	46.9 lbs.	51.3 lbs.
Length, inches	17"	20"
Width, inches	11.2"	11.2"
Height without / with handle	9.1" / 46.1"	9.1" / 46.1"
Cable length 230V / 110V	32.81' / 49.21'	32.81' / 49.21'
Dirty water capacity	95 fl. oz.	118 fl. oz.
Coverage - carpets*	2,500 sq. ft. per hour	3,500 sq. ft. per hour
Coverage - hard floors	3,500 sq. ft. per hour	4,500 sq. ft. per hour

* sq. ft. per hour based on excapsulation cleaning only

Ponga particular atención a los siguientes punto relacionados con la operación, uso y mantenimiento:

ESPAÑOL

La máquina solo debe ser utilizada por personas que hayan tenido un entrenamiento previo y autorización para el uso de la misma.

La máquina debe estar desconectada antes de limpiarla, hacerle servicio o cambiale un repuesto.

Ver que el cable no este dañado pasando encima del mismo con la máquina.

El cable sólo debe ser remblplazado por por pieza original G 46 un cable DIN 57.281 o uno 402/VDE 0281 o uno 402 o5W 3x 1 mm2 cable.

La máquina no debe ser utilizada al aire libre, en condiciones lluviosas o húmedas ni con químicos o sustancias peligrosas.

La máquina debe tener un interruptor de corriente de una capacidad de 10 amps o un fusible de 10 amps.

Toda las conexiones principales de corriente deben estar protegidas al menos contra salpicones de agua.

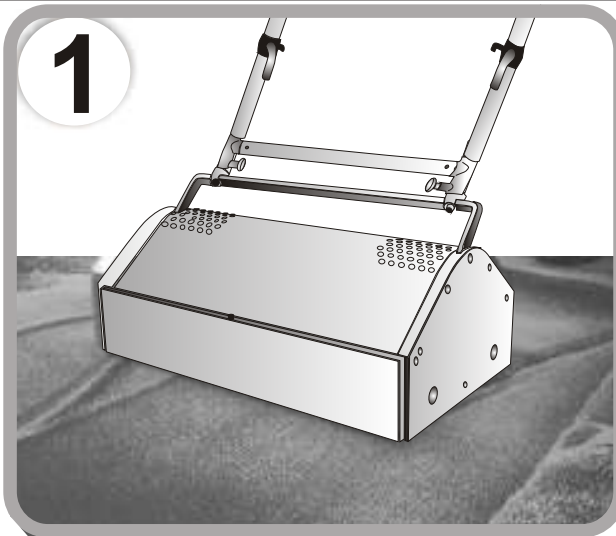
La máquina no debe ser utilizada por personas con defectos fisicos, mentales, o con falta de experiencia a menos de que estos sean supervisados por una persona responsable de su seguridad.

No se use con agentes quimicos o limpiadores que facilmente hacen espuma cuando se estan aplicando o agentes limpiadores que contengan solventes inflamables. La valvula pH de los productor limpiadores y quimicos usados con nuestro equipo no deben exceder arriba de 10 pH y de bajo de 5 pH.

Technical Data	Brush Pro 17	Brush Pro 20
Motor	800 W	800 W
Rotacion de cepillos	483 RPM	395 RPM
Nivel de sonido	57.8 dB	57.8 dB
Peso en kilos	46.9 lbs.	51.3 lbs.
Longitud en cm	17"	20"
Ancho en cm	11.2"	11.2"
Altura sin el manubrio	9.1" / 46.1"	9.1" / 46.1"
Longitud del cable 230V / 110V	32.81' / 49.21'	32.81' / 49.21'
Capacidad de aqua sucia	95 fl. oz.	118 fl. oz.
Cobertura alfombra	2,500 sq. ft. per hour	3,500 sq. ft. per hour
Cobertura para pisos	3,500 sq. ft. per hour	4,500 sq. ft. per hour

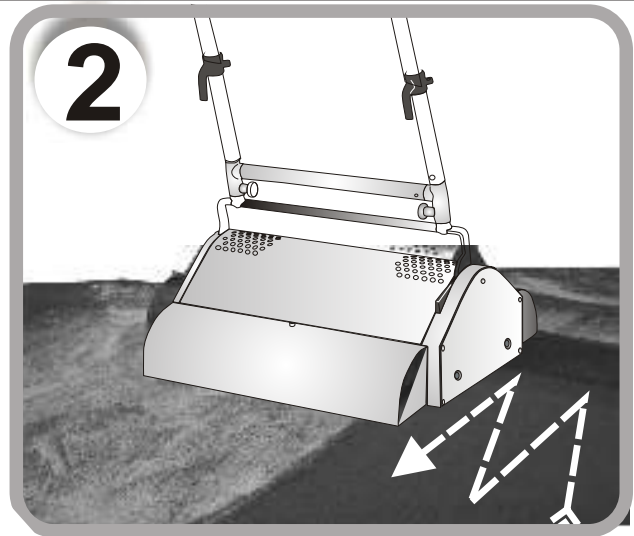
* sq. ft. basado en limpieza con quimico encapsulador unicamente

Carpet cleaning / Limpieza de alfombra



EN Mount Brush Covers on both sides of machine. Brush thoroughly with the machine in all directions.

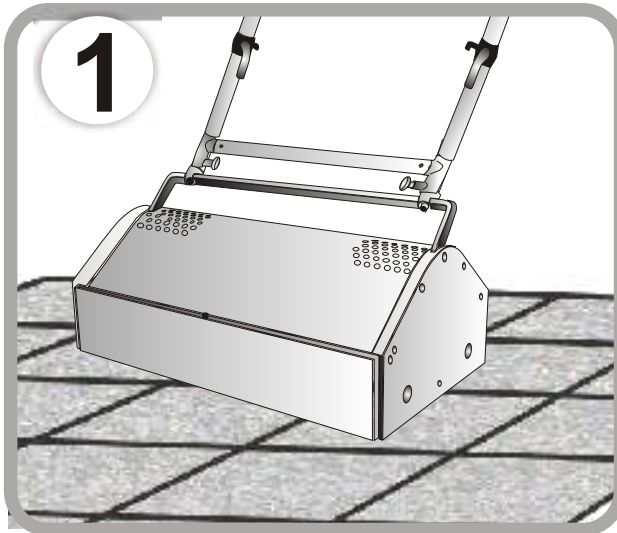
ES Colocarle los cobertores de cepillos. Esparcir Compound (esponjas) sobre la alfombra. Cepillar con la máquina en todas las direcciones



Mount Renovators on both sides of machine. When full, take off the Renovators, empty and dispose of the contents according to local, state and federal law and regulations.

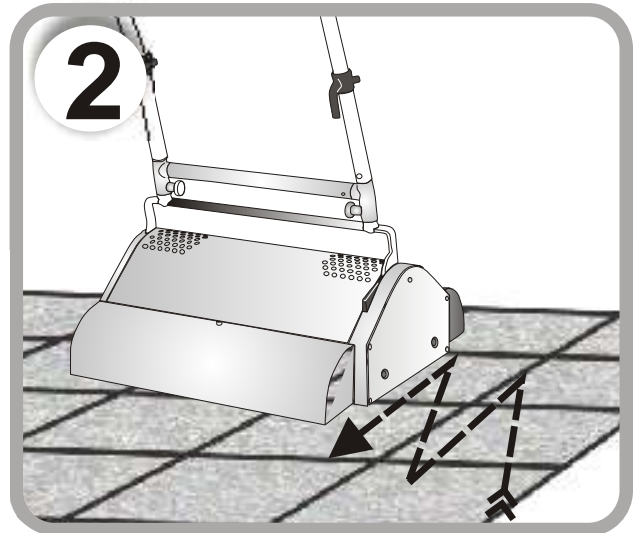
Ponerle los Renovators o colectores de cada lado. Cuando estén full vaciarlos y botarlos los residuos de acuerdo a las leyes locales.

Hard floor cleaning / Limpieza de pisos



EN Mount Brush Covers both sides of machine.

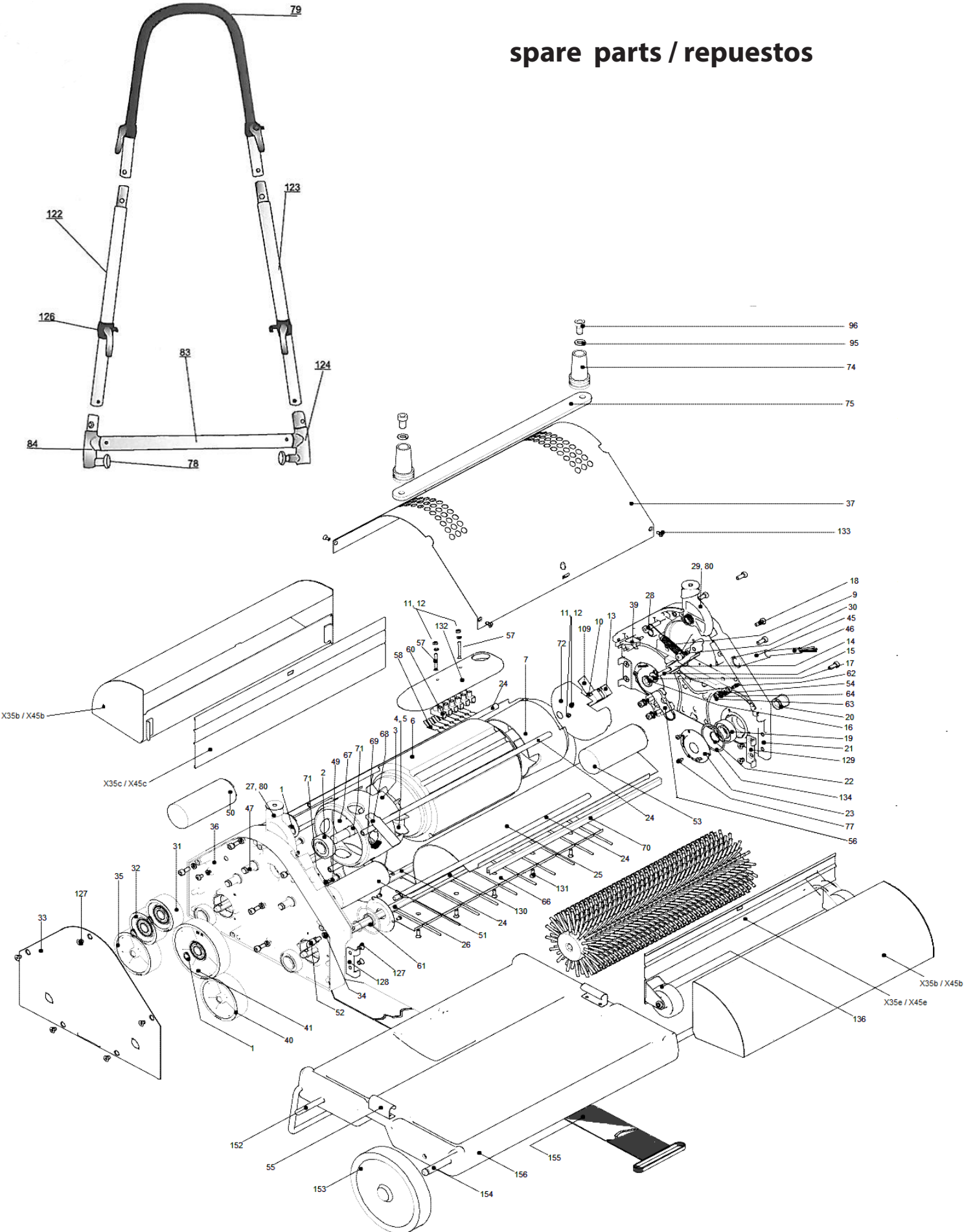
ES Ponerle los portectores de polvo a ambos lados de la maquina.



Mount Renovators on both sides of machine. When full, take off Renovators, empty and dispose of the contents according to local, state and federal law and regulations.

Ponerle los Renovators o colectores de cada lado. Cuando estén full vaciarlos y botarlos los residuos de acuerdo a las leyes locales.

spare parts / repuestos



list of spare parts / repuestos

1	NM5200	SNAP RING A12	57	NM5266	CYLINDERHEAD SCREW M3 X 25
2	NM5202	BALL BEARING 6202 2RS	58	NM5267	WIRE FIXING PLATE
3	NM5371	DISTANCE PIECE G 20LM	60	NM5269	TERMINAL BLOCK
4	NM5203	SPLIT PIN 3 X 20A2	61	NM5271	V-RING
5	NM5205	VENTILATOR	62	NM5273	WORMSCREW
6	NM5373	MOTOR 20LM	63	NM5275	NUT M4
7	NM5374	DISTANCE PIECE E 20LM	64	NM5277	LOCK WASHER M4 A2
9	NM5211	TENSION SPRING	66	NM5379	CABLE PROTECTOR 20LM
10	NM5213	WORM SCREW M3 X 40	67	NM5279	BLIND
11	NM5215	NUT M3 BRASS	68	NM5242	HANDLE STOP KIT – SOLD WITH #27
12	NM5217	SPRING RING M3	69	NM5244	HANDLE STOP SPRING
13	NM5206	MICROSWITCH	70	NM5381	SEAL – COVER 20LM
14	NM5208	SWITCH PART	71	NM5283	SNAP RING A15
15	NM5221	WORM SCREW M5 X 25	72	NM5285	COVER - MICROSWITCHES
16	NM5223	NUT M5	74	NM5287	HANDLE CONNECTOR – UPPER PART
17	NM5225	DISC M5	75	NM5386	FLATBAR 20LM
18	NM5227	CYLINDER HEAD SCREW M5 X 12	77	NM5293	SCREW M3 X 5
19	NM5210	BALL BEARING 6003 2RS	78	NM5295	SNAP-IN
20	NM5212	FLANGE	79	NM5297	HANDLE UPPER PART
21	NM5229	HOUSING UNIT E COMPLETE	80	NM5299	BEARING
22	NM5214	SNAP RING 16X1	83	NM5387	CROSS BAR 20LM
23	NM5282	PROTECTIVE PLATE	84	NM5303	T-PIECE LEFT
24	NM5375	MOTOR STUD 20LM			
25	NM5376	BRUSH COVER 20LM	86	NM5388	TANDEM BAR 20LM
26	NM5377	BRUSH AXLE 20LM	88	NM5389	HANDLE COMPLETE 20LM
27	NM5218 SEE #68	HANDLE CONNECTOR LOWER PART G	95	NM5309	SPRING RING M6
28	NM5237	CYLINDER HEAD SCREW M6 X 25	96	NM5311	SCREW M6 X 30
29	NM5219	HANDLE CONNECTOR LOWER PART E	109	NM5313	ISOLATING PLATE
30	NM5239	CYLINDER HEAD SCREW M6 X 16	122	NM5323	HANDLE LOWER PART LEFT
31	NM5220	GEAR 48 RIGHT	123	NM5325	HANDLE LOWER PART RIGHT
32	NM5222	GEAR 48 LEFT	124	NM5327	T-PIECE RIGHT
33	NM5241	GEAR COVER	126	NM5246	CABLE HOLDER
34	NM5243	LOCKWASHER M5	127	NM5329	SCREW COUNTERSUNK HEAD M5 X 6
35	NM5224	GEAR 66 RIGHT	128	NM5331	HOLDER LEFT
36	NM5245	HOUSING UNIT G COMPLETE	129	NM5333	HOLDER RIGHT
37	NM5378	COVER 20LM	130	NM5396	THROW-IN ACCELERATOR 20LM
39	NM5226	THERMO-RELAY	131	NM5337	SCREW COUNTERSUNK HEAD M4 X 12
40	NM5228	GEAR 66 LEFT	132	NM5339	PROTECTIVE COVER
41	NM5230	GEAR 85 RIGHT	133	NM5341	SCREW COUNTERSUNK HEAD M4 X 8
45	NM5234	GROMMET – CORD PROTECTOR	134	NM5343	O-RING
46	NM5236	CABLE – POWER CORD	136	NM5347	WHEEL – COVER PLATE
47	NM5249	BEARING PIN	152	NM5398	HOLDER TROLLEY – LM20
49	NM5251	CYLINDERHEAD SCREW M4 X 8	153	NM5353	WHEEL - TROLLEY
50	NM5238	RUN CAPACITOR	154	NM5399	AXLE - TROLLEY
51	NM5253	STARTING CAPACITOR	155	NM5357	BELT - TROLLEY
52	NM5255	CYLINDERHEAD SCREW M5 X 12	156	NM5401	TRAY WITH CLIPS & BELT – 20LM
53	NM5257	STARTING CONTROL	X45B	NM5409	RENOVATOR KIT 20LM (2 PIECESS)
54	NM5259	CLAMP STRIP	X45C	NM5411	DUST COVER WITHOUT WHEEL 20LM (1 ONLY)
55	NM5261	FIXING SPRING	X45D	NM5415	TRANSPORT DOLLY COMPLETE 20LM
56	NM5263	CABLE CLAMP	X45E	NM5413	DUST COVER WITH WHEEL 20LM (1 ONLY)

list of spare parts / repuestos

1	NM5200	SNAP RING A12	57	NM5266	CYLINDERHEAD SCREW M3 X 25
2	NM5202	BALL BEARING 6202 2RS	58	NM5267	WIRE FIXING PLATE
3	NM5201	DISTANCE PIECE G 17LM	60	NM5269	TERMINAL BLOCK
4	NM5203	SPLIT PIN 3 X 20A2	61	NM5271	V-RING
5	NM5205	VENTILATOR	62	NM5273	WORMSCREW
6	NM5207	MOTOR 17LM	63	NM5275	NUT M4
7	NM5209	DISTANCE PIECE E 17LM	64	NM5277	LOCK WASHER M4 A2
9	NM5211	TENSION SPRING	66	NM5240	CABLE PROTECTOR LM17
10	NM5213	WORM SCREW M3 X 40	67	NM5279	BLIND
11	NM5215	NUT M3 BRASS	68	NM5242	HANDLE STOP KIT – SOLD WITH #27
12	NM5217	SPRING RING M3	69	NM5244	HANDLE STOP SPRING
13	NM5206	MICROSWITCH	70	NM5281	SEAL – COVER 17LM
14	NM5208	SWITCH PART	71	NM5283	SNAP RING A15
15	NM5221	WORM SCREW M5 X 25	72	NM5285	COVER - MICROSWITCHES
16	NM5223	NUT M5	74	NM5287	HANDLE CONNECTOR – UPPER PART
17	NM5225	DISC M5	75	NM5289	FLATBAR 17LM
18	NM5227	CYLINDER HEAD SCREW M5 X 12	77	NM5293	SCREW M3 X 5
19	NM5210	BALL BEARING 6003 2RS	78	NM5295	SNAP-IN
20	NM5212	FLANGE	79	NM5297	HANDLE UPPER PART
21	NM5229	HOUSING UNIT E COMPLETE	80	NM5299	BEARING
22	NM5214	SNAP RING 16X1	83	NM5301	CROSS BAR 17LM
23	NM5282	PROTECTIVE PLATE	84	NM5303	T-PIECE LEFT
24	NM5233	MOTOR STUD 17LM			
25	NM5235	BRUSH COVER 17LM	86	NM5306	TANDEM BAR 17LM
26	NM5216	BRUSH AXLE 17LM	88	NM5307	HANDLE COMPLETE 17LM
27	NM5218 SEE #68	HANDLE CONNECTOR LOWER PART G	95	NM5309	SPRING RING M6
28	NM5237	CYLINDER HEAD SCREW M6 X 25	96	NM5311	SCREW M6 X 30
29	NM5219	HANDLE CONNECTOR LOWER PART E	109	NM5313	ISOLATING PLATE
30	NM5239	CYLINDER HEAD SCREW M6 X 16	122	NM5323	HANDLE LOWER PART LEFT
31	NM5220	GEAR 48 RIGHT	123	NM5325	HANDLE LOWER PART RIGHT
32	NM5222	GEAR 48 LEFT	124	NM5327	T-PIECE RIGHT
33	NM5241	GEAR COVER	126	NM5246	CABLE HOLDER
34	NM5243	LOCKWASHER M5	127	NM5329	SCREW COUNTERSUNK HEAD M5 X 6
35	NM5224	GEAR 66 RIGHT	128	NM5331	HOLDER LEFT
36	NM5245	HOUSING UNIT G COMPLETE	129	NM5333	HOLDER RIGHT
37	NM5247	COVER 17LM	130	NM5335	THROW-IN ACCELERATOR 17LM
39	NM5226	THERMO-RELAY	131	NM5337	SCREW COUNTERSUNK HEAD M4 X 12
40	NM5228	GEAR 66 LEFT	132	NM5339	PROTECTIVE COVER
41	NM5230	GEAR 85 RIGHT	133	NM5341	SCREW COUNTERSUNK HEAD M4 X 8
45	NM5234	GROMMET – CORD PROTECTOR	134	NM5343	O-RING
46	NM5236	CABLE – POWER CORD	136	NM5347	WHEEL – COVER PLATE
47	NM5249	BEARING PIN	152	NM5351	HOLDER TROLLEY – 17LM
49	NM5251	CYLINDERHEAD SCREW M4 X 8	153	NM5353	WHEEL - TROLLEY
50	NM5238	RUN CAPACITOR	154	NM5355	AXLE – TROLLEY 17LM
51	NM5253	STARTING CAPACITOR	155	NM5357	BELT - TROLLEY
52	NM5255	CYLINDERHEAD SCREW M5 X 12	156	NM5359	TRAY WITH CLIPS & BELT – 17LM

Review these instructions before operating cleaner.

Thank you for choosing a Brush Pro product.

Please enter the COMPLETE model and serial numbers in the spaces provided.

Model: _____

Serial number: _____

Hint: Attach your sales receipt to the owner's manual / instructions. Verification of date of purchase may be required for warranty service of your Brush Pro product. Be sure to fill out and return the product registration card included with your cleaning machine. (see back cover)

Important Safeguards!

When using an electrical appliance, always follow basic precautions, including the following:

READ ALL INSTRUCTIONS BEFORE USING THIS APPLIANCE

WARNING: To reduce the risk of fire, electric shock, or injury:

- Do not use outdoors
- Keep out of the reach of children
- Close supervision is necessary when any appliance is used by or near children. Do not allow carpet cleaning machine to be used as a toy or to run unattended at any time
- Keep hair, loose clothing, fingers, feet and all parts of body away from openings, rotating agitator, brushes and other moving parts
- Do not operate machine/cleaner in bare feet or when wearing open toe shoes or sandals
- Do not pick up anything that is burning or smoking, such as cigarettes, matches, or hot ashes
- Do not use to pick up flammable or combustible materials such as but not limited to: gasoline or alcohol or use in areas where they may be present
- Avoid picking up hard, sharp objects with the cleaner. They may damage the cleaner
- Always turn off this appliance before connecting or disconnecting the power cord to the power outlet
- Do not use without dust covers or renovators in place. Empty renovators and clean the machine frequently when picking up very fine materials such as dry cleaning compound
- Use extra care when cleaning on stairs
- Do not put any objects into openings or near brushes. Do not use with any opening blocked; keep free of dust, lint, hair, or anything that may reduce brush action
- Do not pull or carry by cord, use cord as a handle, close door on cord or pull cord around sharp edges or corners. Do not run appliance over cord. Keep cord away from heated surfaces
- Always disconnect cord from electrical outlet before servicing the cleaner
- Unplug cleaner when not in use. Turn off all controls before unplugging
- Do not unplug by pulling on cord. To unplug, grasp the plug, not the cord. Never handle plug or appliance with wet hands
- The use of an extension cord is not recommended
- Do not use with damaged cord or plug. If appliance is not working as it should, has been dropped, damaged, left outdoors, or dropped into water, take it to a Brush Pro Sales and Service Center or Authorized Brush Pro Warranty Service Dealer (Depot)
- Use carpet cleaning machine only for its intended use as described in the instructions. Use only attachments recommended by The Brush Pro Company; others may cause hazards

WARNING: Always wash hands after handling chemicals or cleaning materials.

Save these instructions!

© 2009 Hydro-Force • www.hydroforce.com

REVISE ESTAS INSTRUCCIONES ANTES DE MANEJAR LA MAQUINA LIMPIADORA

Gracias por haber elegido un producto Brush Pro

Anote los números COMPLETOS de modelo y serie en los espacios previstos,

Modelo: _____

Número de serie: _____

Sugerencia: Adjunte su recibo de compra a este Manual del Propietario. Para obtener el servicio de garantía de su producto Brush Pro puede requerirse la verificación de la fecha de compra. Asegúrese de llenar y retornar la tarjeta de registro incluida con su máquina limpiadora. (ver carátula externa)

Salvaguardias importantes!

Al usar un aparato eléctrico, observe siempre las precauciones básicas, incluyendo las siguientes:

LEA TODAS LAS INSTRUCCIONES ANTES DE USAR ESTE APARATO

Advertencia:

Para reducir el riesgo de incendios, electrocutamiento o lesiones:

- No use este aparato en el exterior.
- Manténgalo alejado del alcance de niños
- Es necesaria una supervisión estricta cuando cualquier aparato es utilizado por o cerca de niños. No permita que la máquina limpiadora de alfombras sea usada como un juguete ni que funcione sin la supervisión de adultos en ningún momento.
- Mantenga el cabello, la ropa holgada, los dedos de las manos y pies y todas las partes del cuerpo alejados de las aberturas del agitador rotatorio, cepillos y otras piezas en movimiento.
- No haga funcionar la máquina descalzo, ni cuando calce sandalias o zapatos que dejen los dedos de los pies al descubierto.
- No aspire nada que se esté quemando o echando humo, como cigarrillos, cerillos o cenizas calientes.
- No use este aparato para aspirar materiales inflamables o combustibles como, pero no únicamente, gasolina o alcohol, ni en áreas donde pudieran estar presentes.
- Evite recoger objetos duros o afilados con la aspiradora. Estos pueden dañarla.
- Apague siempre este aparato antes de conectar o desconectar la manguera.
- No use la aspiradora sin tener la tapa del depósito para polvo o los filtros en su lugar.
- Vacíe el depósito y limpie con la máquina con frecuencia cuando aspire materiales muy finos como compuestos de tintorería.
- Tenga especial cuidado al limpiar escaleras.
- No coloque ningún objeto en las aberturas o cerca de los cepillos. No la use con ninguna abertura obstruida; manténgala libre de polvo, pelusa, cabello o cualquier cosa que pueda impedir o reducir la acción de los cepillos.
- No tire de esta ni la transporte por el cable, ni tampoco use el cable como mango, no cierre la puerta sobre el cable ni tire del mismo alrededor de los bordes agudos ni esquinas. No pase el aparato sobre el cable.
- Mantenga el cable alejado de las superficies calientes.
- Desconecte siempre el cable del a toma de corriente antes de prestar servicio a la aspiradora.
- Desconecte el cable cuando la aspiradora no esté en uso.
- Antes de desenchufarla, apague todos los controles.
- No la desconecte tirando del cable. Para desenchufarla, sujete el enchufe
- Nunca toque el enchufe ni el aparato con las manos mojadas
- No se recomienda el uso de cables de extensión.
- No use el aparato si el cable o el enchufe esta dañado. Si el aparato no está funcionando apropiadamente, se ha dejado caer, ha sido dañado, se ha dejado a la intemperie o se ha dejado caer en agua, llévelo a un Centro de Ventas y Servicio de Brush Pro o a un Concesionario Autorizado de servicio de garantía de Brush Pro (Depósito).
- Use la máquina de limpiar alfombras solamente para lo que ha sido diseñada según se describe en las instrucciones. Use solamente los accesorios recomendados por The Brush Pro Company; el Uso de otros accesorios puede ser peligroso.

Guarde estas instrucciones!

© 2009 Hydro-Force • www.hydroforce.com

LIMITED WARRANTY*

What does this warranty cover? Any manufacturing defects in original material, including original parts and workmanship, under normal use and conditions. For how long? For a period of one year from the date of original purchase in the U.S. What will be done? We will provide machine repair service at no charge for labor and parts or replace it at our discretion. Parts will be prorated according to wear. How do you make a warranty claim? If it becomes necessary to repair your unit, you need to package the unit in a well-padded heavy cardboard box.

You must mail us a paper with the following details

Name

Company

Address

Phone

Fax

Description of the claim

Warranty Card (if available):

Copy of original invoice

Send to: Hydro-Force 4282 South 590 West, Salt Lake City, UT 84123 (paper/claim only)

After mailing the warranty claim, call our customer service number 1-800-948-1779 to speak with a claims supervisor for the nearest authorized repair shop and location. Freight must be prepaid to our facility or authorized repair shop. Insurance is recommended.

What does your warranty not cover? This warranty does not cover the following:

- Damage from negligence, misuse, abuse, accident, or failure to follow operating instructions.
- Changes or repairs by anyone other than Hydro-Force.
- Unit on which the serial number has been defaced, modified or removed.
- Ordinary adjustments, which you can perform as outlined in the operator's manual.
- Gear stripping.

What other limitations apply to this warranty?

THIS WARRANTY IS NON-TRANSFERABLE AND APPLIES ONLY TO THE ORIGINAL PURCHASER AND DOES NOT EXTEND TO SUBSEQUENT OWNERS OF THE PRODUCT. THIS WARRANTY IS VALID ONLY IN THE UNITED STATES OF AMERICA. ANY APPLICABLE IMPLIED WARRANTIES, INCLUDING THE WARRANTY OF MERCHANTABILITY, ARE LIMITED IN DURATION TO A PERIOD OF THE EXPRESSED WARRANTY AS PROVIDED ABOVE BEGINNING WITH THE DATE OF ORIGINAL PURCHASE AT RETAIL AND NO WARRANTIES, WHETHER EXPRESSED OR IMPLIED, SHALL APPLY TO THE PRODUCT THEREAFTER. WE MAKE NO WARRANTY AS TO THE FITNESS OF THE PRODUCT FOR ANY PARTICULAR PURPOSE OR USE. THE EXTENT OF OUR LIABILITY UNDER THIS LIMITED WARRANTY IS THE REPAIR OR REPLACEMENT PROVIDED ABOVE AND IN NO EVENT WILL OUR LIABILITY EXCEED THE PURCHASE PRICE PAID BY THE PURCHASER OF THE PRODUCT. UNDER NO CIRCUMSTANCES WILL WE BE LIABLE FOR ANY LOSS, DIRECT, INDIRECT, INCIDENTAL, SPECIAL, OR CONSEQUENTIAL DAMAGE ARISING OUT OF OR IN CONNECTION WITH THE USE OF THIS PRODUCT.

How does state law apply to your warranty? THIS WARRANTY GIVES YOU SPECIFIC LEGAL RIGHTS, BUT YOU MAY ALSO HAVE OTHER RIGHTS WHICH VARY FROM STATE TO STATE. SOME STATES DO NOT ALLOW LIMITATIONS ON IMPLIED WARRANTIES OR EXCLUSION OR LIMITATION OF INCIDENTAL OR CONSEQUENTIAL DAMAGE, SO THESE RESTRICTIONS MAY NOT APPLY TO YOU.

*For additional terms and conditions please also refer to your warranty card included in your product packaging.

Garantía Limitada

Que cubre esta Garantía? Cualquier defecto en el material original, incluyendo partes originales y ensamblaje, bajo uso y condiciones normales.

Por cuanto tiempo? Por el periodo de un año desde la fecha de compra original en EE.UU. Que se hará? Proveen servicio de reparación de maquina sin costo por mano de obra o partes, o reemplazarla a nuestra discreción. Las partes serán prioridad de acuerdo a su uso. Como hace un reclamo de Garantía? Si es necesario reparar su unidad, usted deberá empacar la unidad en una caja de cartón gruesa bien acolchada.

Deberá enviarnos un papel con los siguientes detalles

*Nombre

*Compañía

*Dirección

*Teléfono

*Fax

*Descripción de reclamo

*Planilla de Garantía (si esta disponible)

*Copia de la factura original

*Enviar a:

Hydro-Force 4282 South 590 West, Salt Lake City, UT 84123

Después de enviar el reclamo de garantía, llamar a nuestra línea de atención al cliente 1-800-948-1779 para hablar con un supervisor de reclamos para localizar la tienda de reparación autorizada mas cercana. El flete deberá ser prepago para nuestras facilidades o la tienda de reparaciones autorizada. Se recomienda asegurarla.

Que no cubre la garantía? La garantía no cubre lo siguiente:

- Daños por negligencia, mal uso, abuso, o incumplimiento de seguir las instrucciones de manejo.
 - Cambios o reparaciones hechas por cualquiera diferente a Hydro-Force.
 - Unidades en la cual el número de serial ha sido alterado, modificado o removido.
 - Ajustes ordinarios los cuales podrán ser efectuados por usted según el manual de operador.
- Equipo desarmado.

Que otras limitaciones aplican en esta garantía?

ESTA GARANTIA NO ES TRANSFERIBLE

Y APLICAR SOLO AL COMPRADOR ORIGINAL Y NO SE EXTIENDE A DUEÑOS SUBSIGUIENTES DEL PRODUCTO. ESTA GARANTIA ES SOLO VALIDA EN EE.UU. CUALQUIER GARANTIA IMPLICADA APLICABLE, INCLUYENDO LA GARANTIA DE MERCANTIBILIDAD SON LIMITADAS EN DURACION AL PERIODO DE LA GARANTIA EXPRESADA COMO SE PROVEE ARRIBA CON LA FECHA DE COMPRA ORIGINAL AL POR MENOR Y NINGUNA GARANTIA, YA SEA EXPRESADA O IMPLICITA, APLICARA AL PRODUCTO A PARTIR DE ENTONCES. NO HACEMOS GARANTIA DE EL ESTADO FISICO DEL PRODUCTO POR NINGUNA RAZON PARTICULAR O USO. LA EXTENSION DE NUESTRA RESPONSABILIDAD BAJO ESTA GARANTIA LIMITADA ES LA REPARACION O REPLAZO PROPORCIONADO ARRIBA Y BAJO NINGUNA EVENTO NUESTRA RESPONSABILIDAD EXEDERA EL PRECIO DE COMPRA PAGADO POR EL COMPRADOR DE CUALQUIER PRODUCTO. BAJO NINGUNA CIRCUMSTANCIA SEREMOS RESPONSABLES POR PERDIDA DIRECTA, INDIRECTA, ESPECIAL O BAJO CONSECUENCIA DE UNA CONECCION O USO DE ESTE PRODUCTO.

Como se aplica la ley estatal a su nuestra garantía? ESTA GARANTIA LE DA A USTED DERECHOS LEGALES ESPECIFICOS, PERO PUEDE QUE USTED TENGA OTROS DERECHOS LOS CUALES PUEDEN VARIAR DE ESTADO EN ESTADO. ALGUNOS ESTADOS NO PERMITEN LIMITACIONES EN GARANTIAS IMPLICITAS O EXCLUSION O LIMITACION DE DAÑO EVENTUAL. AI QUE ESTAS RESTRICCIONES PUEDE QUE NO APLIQUEN EN SU CASO.

*para términos y condiciones adicionales por favor remitirse a su tarjeta de garantía incluidas en el empaque de su producto.

Brush Pro Warranty

IMPORTANT: This Warranty will not be valid unless this Warranty Card is fully completed and mailed to the Brush Pro Company. Fill out all information to receive your FREE end user training video.

Please type or print.

Name: _____

Title: _____

Facility/Company: _____

Address: _____

City, State, Zip: _____

Phone: _____ FAX: _____

Email: _____

Serial # _____

Purchase Date _____

Brush Pro Distributor from whom you purchased:

Sales Rep: _____

Sq. ft. of carpet: _____

Would you like someone to contact you regarding training for the BrushPro System? YES NO

Job Function:

Type of Facility:

- Facility Manager
- Maintenance Executive
- Cleaning Manager
- BSC/Janitorial Services
- Professional Carpet Cleaner

- Office Building
- Gov't/Public Building
- School/College/University
- Restaurant
- Hotel/Motel/Resort

- Apartment Building
- Hospital
- Airport
- Nursing Home
- Other _____

Brush Pro Product Warranty

The Original Dry Extraction Carpet Cleaning System

1. Machines requiring repair under the Warranty must be sent to the Brush Pro Corporate Headquarters, freight prepaid. Repairs will be made and the machine returned to the original purchaser freight prepaid in the USA.
2. When machines under this Warranty are returned with parts or accessories missing, the Purchaser will be charged for all parts and labor by the Brush Pro Company. After the Warranty has expired, a rebuilding charge will be quoted after the Brush Pro Company has inspected the machine.
3. This Warranty gives you specific legal rights and you may also have other rights which vary from state to state.
4. This limited 2 year Warranty applies to all original Brush Pro's Dry Carpet Extraction Cleaning Machines used in the U.S. when purchased from a Brush Pro Authorized Distributor, Affiliate or directly from the Brush Pro Company. Outside the United States, machines are warranted by the local Distributors.
5. This machine is warranted to be free from defects in materials and workmanship when used solely for the purpose of pile lifting and Brush Pro Dry Extraction Cleaning of carpets using Brush Pro carpet cleaning compound only. This Warranty applies to original purchaser only. If machine is sold, transferred, traded or lost, this Warranty becomes invalid.
6. In the event of failure of a part or parts within 2 year from original purchase date and upon inspection by the Manufacturer or Manufacturer Rep. to determine that failure is due to defective materials or workmanship, such defective parts will be repaired or replaced at Manufacturer's expense.
7. This Warranty does not cover damages caused by but not limited to: accident, neglect, or abuse, nor does it cover expandable parts subject to normal wear. These items include but are not limited to the cleaning brushes and gears. Any modification to the equipment by the customer will absolve Brush Pro Company of any and all liability under this Warranty.

IMPORTANT: Warranty will not be valid unless the attached Warranty Card is filled in and mailed to Brush Pro Company. Retain this portion for your file.

Manufacturer:
Hydro-Force Manufacturing
4282 South 590 West
Salt Lake City, UT 84123
800-948-1779
www.hydro-force.com

Limited Warranty